



- Product introduction
- Product specifications
- Packing list
- Product configuration
- Instruction
- Product warranty card

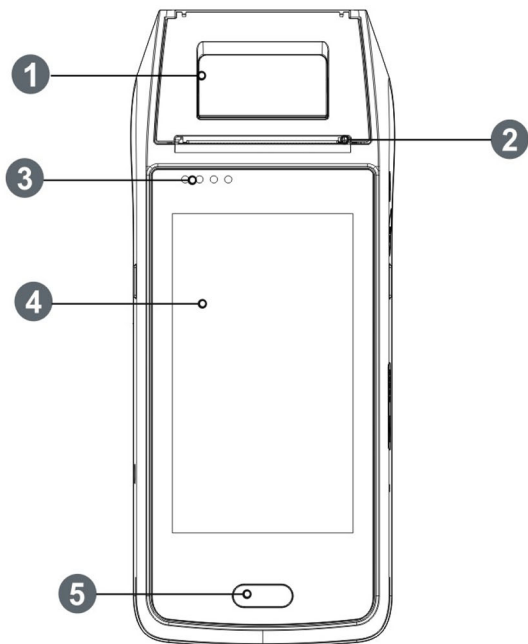
The WIN10 is Maxpad's latest state of the art All-In-One mobile POS device.

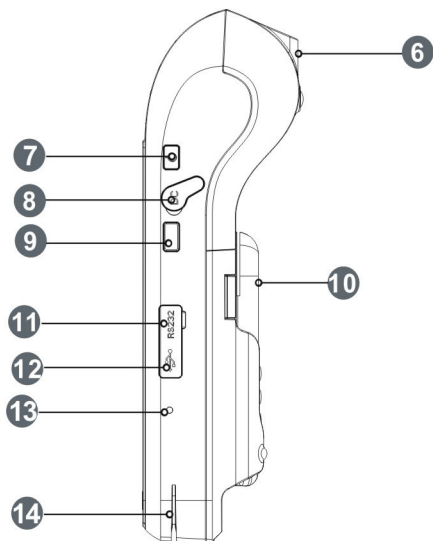
Built for use in Ticketing, Bus, Coach, Train, Plane and Taxi, the WIN10 is the correct choice for many mobile environments.



Product specifications

Items	Details
Processor	Intel Atom x5-Z8350
Security MCU	Freescale K21, ARM Cortex-M4
Memory	2G-DDR3L, 16G-eMMC
Operating System	Windows 10 Enterprise
Display Screen	5.0 inch, 720x1280Pixels, multipoint
Printer	High speed ,Low noise, High voltage (Width:58mm, Diameter:30mm)
RFID	ISO14443 Type A/B & NFC technology compatible
MSR	ISO7811-Track 1,2,3 (support bi-directional swiping card)
Scan	Support 1D & 2D bar-code scanning(Support QR)
WLAN	802.11a/b/g/n (support dual-band both the 2.4GHz & 5GHz bands)
Bluetooth	Bluetooth 4.0
Mobile Communication	Support 2G&3G communication (4G optional)
GPS	Support GPS function
Adapter	DC 9V/3A
Battery	2500mAh polymer Li-ion battery
Interface	Micro USB ×1 Micro USB x1 (for mPOS) Mini USB x1 (RS232 Port)
Card Slot	PSAM card slot x1 SIM card slot x1 Micro SD card slot ×1
Button	Windows button ×1 Power button x1 Scan button × 2 Reset switch hole ×1
Operating Condition	Operating ambient temperature: 0°C-- 50°C
Accessories	AC adaptor ×1, battery ×1, user manual ×1





1 Printer

2 Paper-cut blade

3 Indicator light

4 Display Screen

5 Windows button

6 Scan windows

7 Power button

8 DC-Jack

9 Scan button

10 MPOS PED

11 RS232 Port

12 Micro USB

13 Reset switch

14 Magnetic stripe card slot

Instruction**1. Boot-up & Shutdown**

- (1) boot-up: Press Power Button (7) for 3 seconds to power-on the unit.
- (2) shutdown: Press Power Button (7) for 3 seconds to power-down the unit.

2. Read card position

- (1) Contactless card position: Please place the contactless card around the Windows button.



- (2) Magnetic stripe card position: Please swipe the magnetic stripe card by the card slot.

